



CAMLOCK
SYSTEMS

PRODUCT SPECIFICATION

Series 2 Pushlock

SERIES 2

**ZINC ALLOY PUSHLOCK
WITH OUR SERIES 2, RADIAL PIN
TUMBLER MECHANISM.**



OVERVIEW

Seven pin, flange fixing Pushlock.

Camlock's flagship AXIAL mechanism utilised a series of single, flag-shaped pins that cannot be bumped into place, alongside a set of false gates that protect against picking. The Series 65's core is surrounded by anti-manipulation features.

Compatible with other Series 2 locking systems.

Product features

- o Anti-drill pillar centre provides added protection
- o Seven pin, radial pin tumbler mechanism
- o Simple push-to-lock, key-to-open operation
- o Medium manipulation resistance
- o Medium physical attack resistance

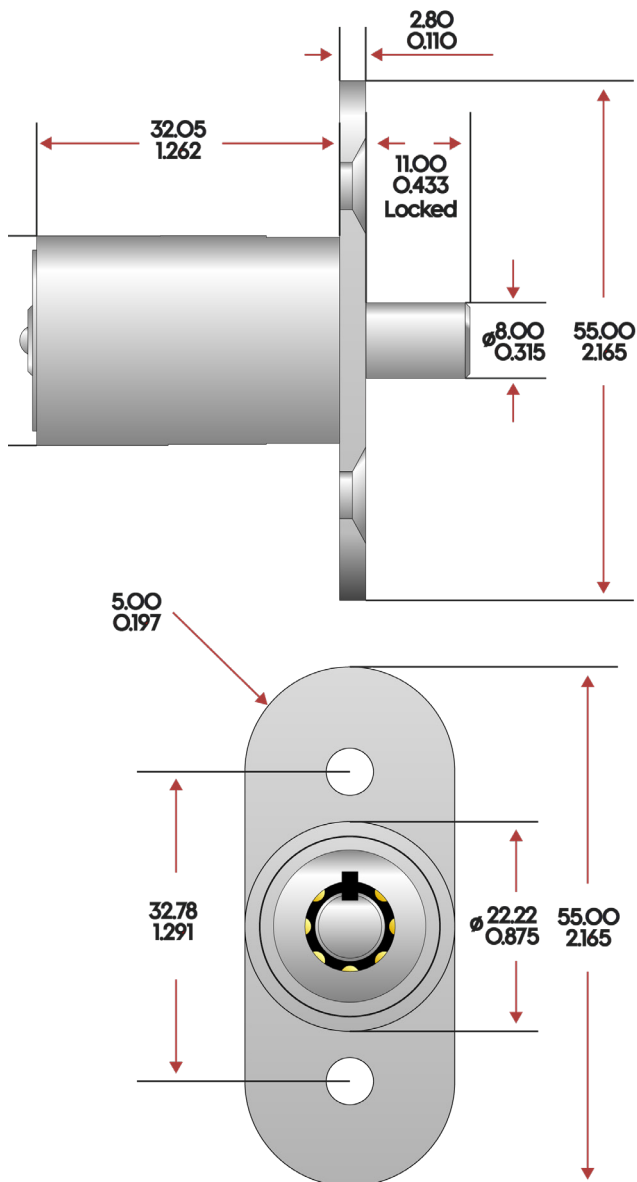
TECHNICAL DATA

Number of key differs	500,000
Mechanism	Seven pin, Radial Pin Tumbler
Body material	Zinc alloy
Finish	Polished chrome
Patent protection	No
Key registration	No
Master keying	No
Key suite options	Keyed alike and keyed to differ
Body length	32mm

**SMARTER
LOCKING**



TECHNICAL DRAWINGS



ADDITIONAL PRODUCT IMAGES

